

PRODUCT INFORMATION PACKET

Model No: 5KH39QN5528X

Catalog No: 4381

General Purpose Motor, 0.33 HP, 1 Ph, 60 Hz, 115 V, 1800 RPM, 56Z Frame, DP



Regal and Marathon are trademarks of Regal Rexnord Corporation or one of its affiliated companies.

©2023 Regal Rexnord Corporation, All Rights Reserved. MC017097E

Nameplate Specifications

| | | | |
|----------------------------|-------------------|------------------------|-------------------|
| Output HP | 0.33 Hp | Output KW | 0.25 kW |
| Frequency | 60 Hz | Voltage | 115 V |
| Current | 6.2 A | Speed | 1725 rpm |
| Service Factor | 1 | Phase | 1 |
| Efficiency | 59.5 % | Power Factor | 0 |
| Duty | Continuous | Insulation Class | B |
| KVA Code | T | Frame | 56Z |
| Enclosure | Drip Proof | Thermal Protection | Automatic |
| Ambient Temperature | 40 °C | Drive End Bearing Size | 6203 |
| Opp Drive End Bearing Size | 6203 | UL | Recognized |
| CSA | Yes | CE | N |
| Number of Speeds | 1 | | |

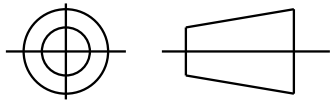
Technical Specifications

| | | | |
|--------------------|-----------------------|-----------------------|-----------------------------------|
| Electrical Type | Split Phase | Starting Method | SM |
| Poles | 4 | Rotation | Counterclockwise/Clockwise |
| Mounting | Resilient Base | Motor Orientation | ANY |
| Drive End Bearing | BALL | Opp Drive End Bearing | BALL |
| Frame Material | Rolled Steel | Overall Length | 9.19 in |
| Frame Length | 5.41 in | Shaft Diameter | 0.500 in |
| Shaft Extension | 1.5 in | | |
| Connection Drawing | 52A105379AA | Outline Drawing | 52A106942P1 |

This is an uncontrolled document once printed or downloaded and is subject to change without notice. Date Created:03/15/2023

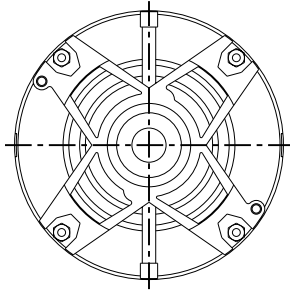
SHEET 1
REV 5
52A106942
SIZE DRAWING NO. A

THIRD ANGLE PROJECTION

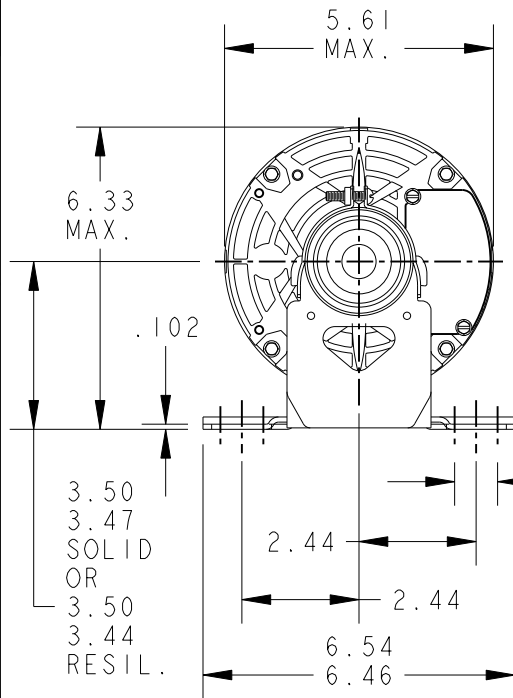


REVISIONS

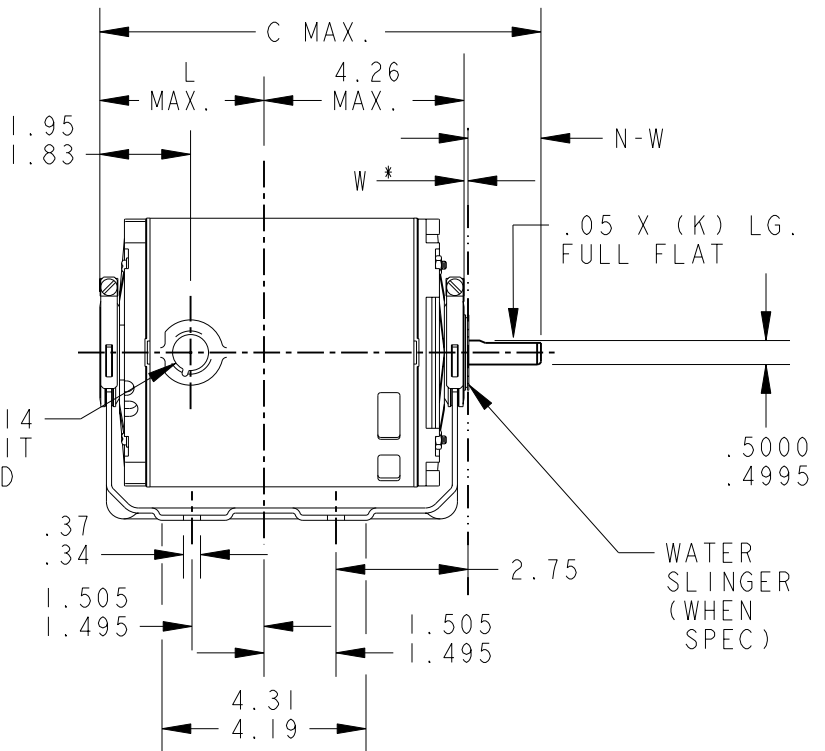
| REV. | DESCRIPTION | DATE | APPROVED |
|------|---------------------------------|----------|----------|
| 3 | CHGD. TO BALL/SLV BRG. IN TITLE | 03/10/94 | M.D.PAPE |
| 4 | REDRAWN BY 2M SOFTWARE CO. | 02/10/95 | CCP |
| 5 | CHG TO RBC FORMAT PER ISO5-1777 | 02/15/06 | SUDHA |



VIEW SHOWING P.E. VENTILATION OPENINGS




.500-14 CONDUIT THREAD



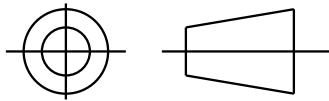
W * IS A CLEARANCE DUE TO VARIATION IN PARTS AND ASSEMBLY.

| | | | | | | | | |
|---|------|---------|---------|------|------|------|------|-----------|
| I | KH | 33 | 56Z | 9.19 | 1.16 | 3.48 | 1.50 | 1.63/1.41 |
| P | TYPE | GE SIZE | NEMA FR | C | K | L | N | N-W |

| | | | | | | |
|--|--------------|----------|----------|--|--|--|
| FOR ADDITIONAL INFO REFER TO: APPLIED PRACTICES DIMENSIONS ARE IN INCHES ✓ MATERIAL | SIGNATURES | | DATE |  <p>REGAL-BELOIT CORPORATION</p> <p>TITLE</p> <p>OUTLINE</p> <p>FORM N - GENERAL PURPOSE MOTOR -</p> <p>DRIP PROOF - RESIL BASE - BALL/SLV BEARING FMF: 5KH39QN5523</p> | <p>SIZE DRAWING</p> <p>52A106942</p> <p>SCALE: 0.250 REF. No: .</p> | <p>REV</p> <p>5</p> <p>SHEET 1 of 1</p> |
| | MODEL M.A.M. | | 05/10/89 | | | |
| | DETAIL | | . | | | |
| | CHECKED | | . | | | |
| | ENGRG | | . | | | |
| MFG | | . | | | | |
| QUALITY | | . | | | | |
| ISSUED C.C.P. | | 02/10/95 | | | | |

SHEET 1
REV 6
52A105379AA
SIZE DRAWING NO. A

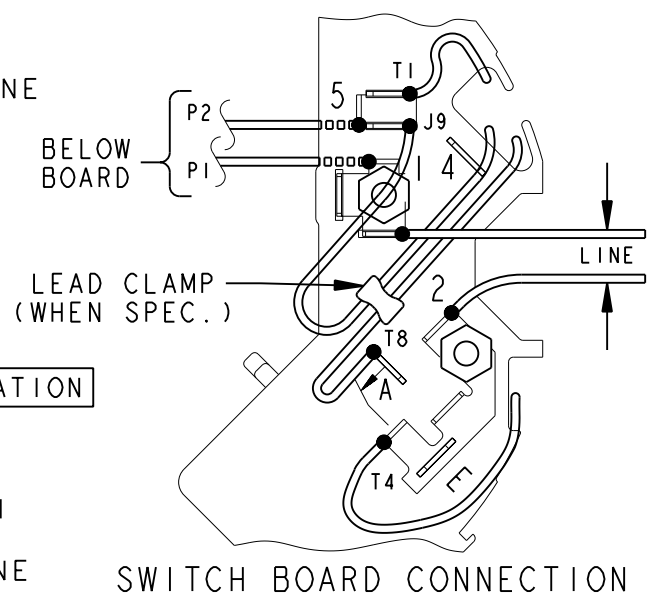
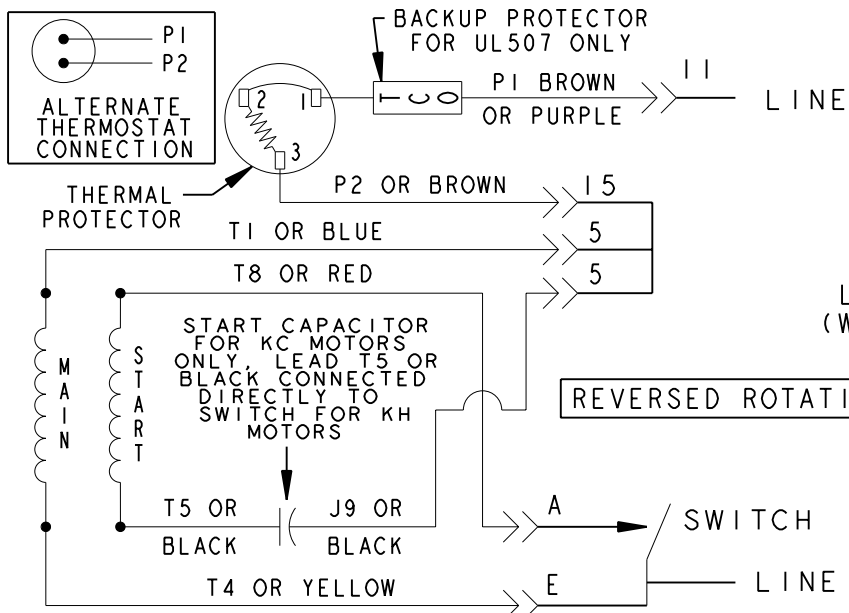
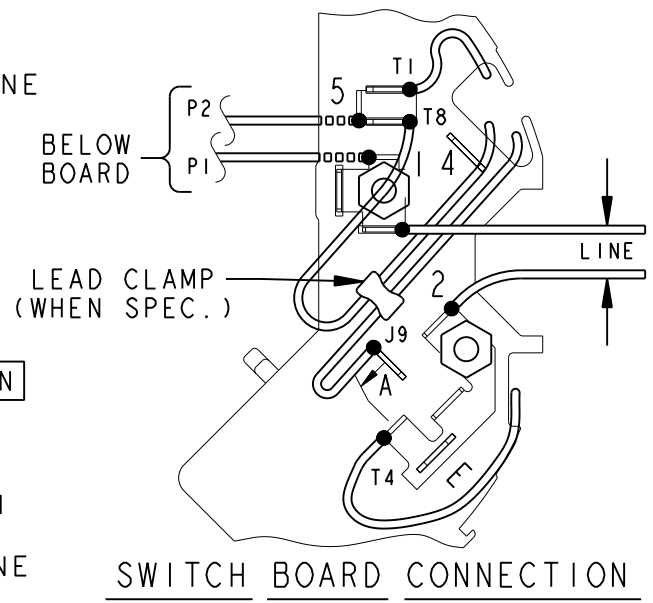
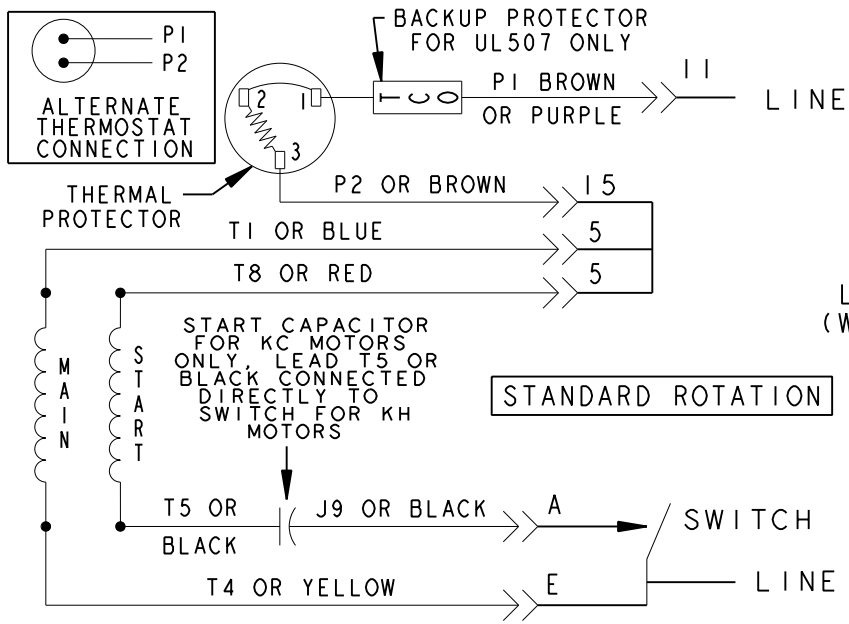
THIRD ANGLE PROJECTION



REVISIONS

| REV. | DESCRIPTION | DATE | APPROVED |
|------|----------------|----------|----------|
| 6 | UPDATED FORMAT | 12/01/05 | MAM |

EITHER ROTATION-SINGLE VOLTAGE-TYPE KC OR KH-WITH THERMAL PROTECTOR



NOTE #1 - TO REVERSE ROTATION INTERCHANGE RED (T8) AND BLACK (J9-KC OR T5-KH) LEADS.
NOTE #2 - WHEN MORE THAN ONE CAPACITOR IS USED CONNECT IN PARALLEL.

SWITCH (C) - 115D958AB REF. DIAG. - 121A851 CONN. LABEL - 52X332048

| SIGNATURES | | DATE |
|--------------------------|------------|----------|
| MODEL | M. D. PAPE | 06/29/87 |
| DETAIL | . | . |
| CHECKED | . | . |
| ENGRG | . | . |
| MFG | . | . |
| QUALITY | . | . |
| ISSUED | M. D. P. | 03/08/00 |
| SOLID MODEL: 52A105379AA | | |

REGAL-BELOIT CORPORATION

CONNECTION DIAGRAM

FMF - 30 FR SWITCH REDESIGN

52A105379AA

REV 6

SCALE: 1.000 REF. No: . SHEET 1 of 1